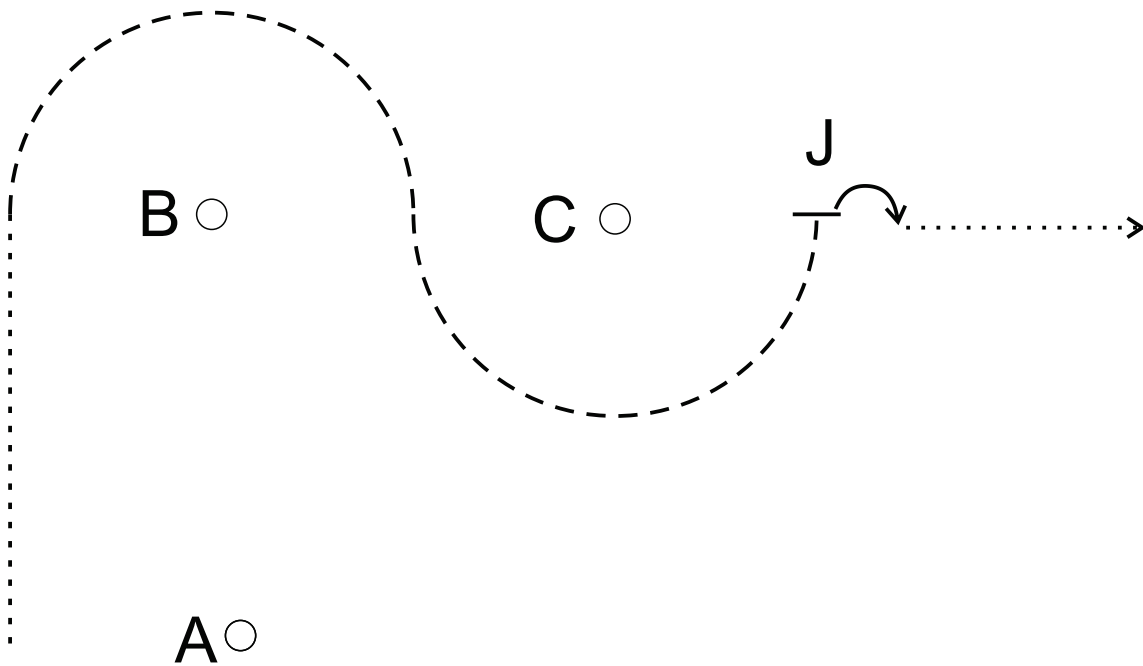


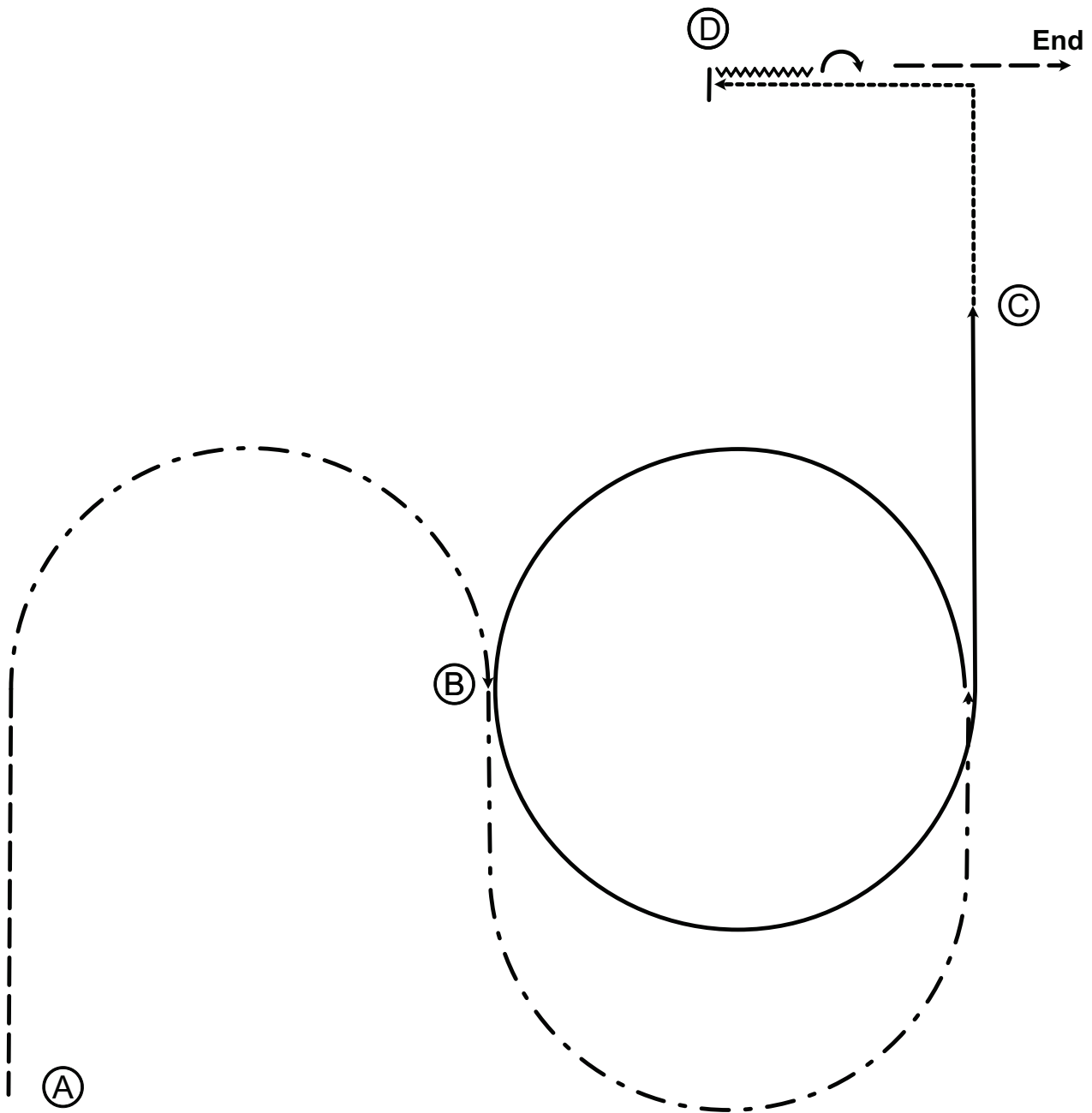
Westfalen Paint Horse Show 2024
SHOWMANSHIP AT HALTER
alle Klassen



Be ready at A

1. Walk from A to B
2. Trot half circle around B, half circle around C to Judge
3. Stop and set up for inspection
4. When dismissed, perform a 90 degree turn to the right
5. Walk straight away from the judge
6. Follow the instructions of your ring steward

Westfalen Paint Horse Show 2024
HUNT SEAT EQUITATION
alle Klassen



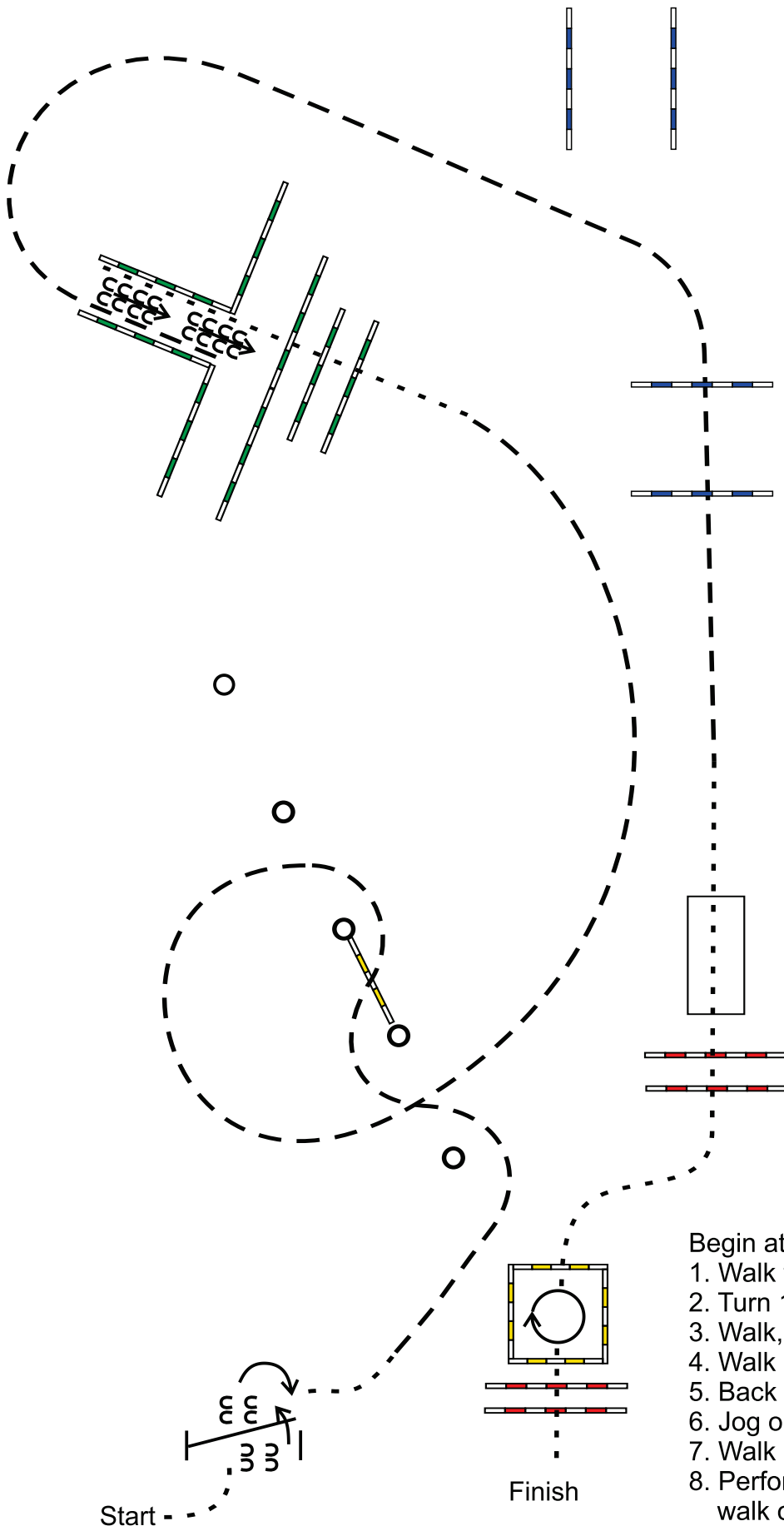
Be ready at A

1. Sitting Trot a straight line until even with B
2. Continue on a half circle to B at the posting trot
3. Change diagonals and do another half circle to the left
4. When even with B, canter a circle to the left and continue to C
5. Walk from C to D around corner.
6. At D stop and back up one horse length, perform a 180° turn on forehand
7. Trot to Lineup

Westfalen Paint Horse Show 2024

TRAIL IN HAND

alle Klassen



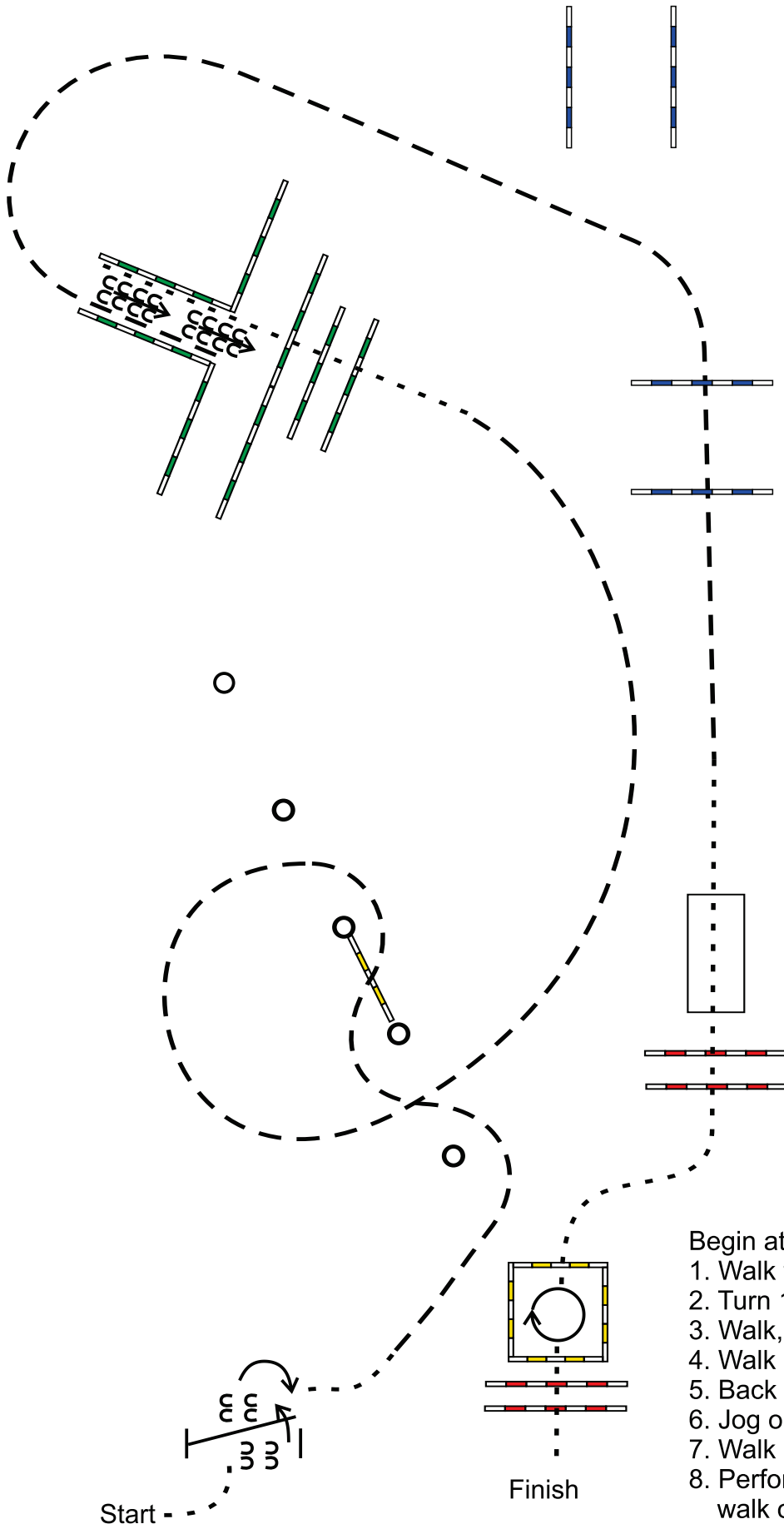
Begin at Start

1. Walk to and work gate left hand
2. Turn 180 degree to the right
3. Walk, Jog through cones and over pole
4. Walk over poles into chute
5. Back up
6. Jog out of chute over poles
7. Walk over bridge, poles into box
8. Perform a 360 degree turn to the right, walk out of box over poles to finish

Westfalen Paint Horse Show 2024

TRAIL

Rasseoffen Walk-Trot

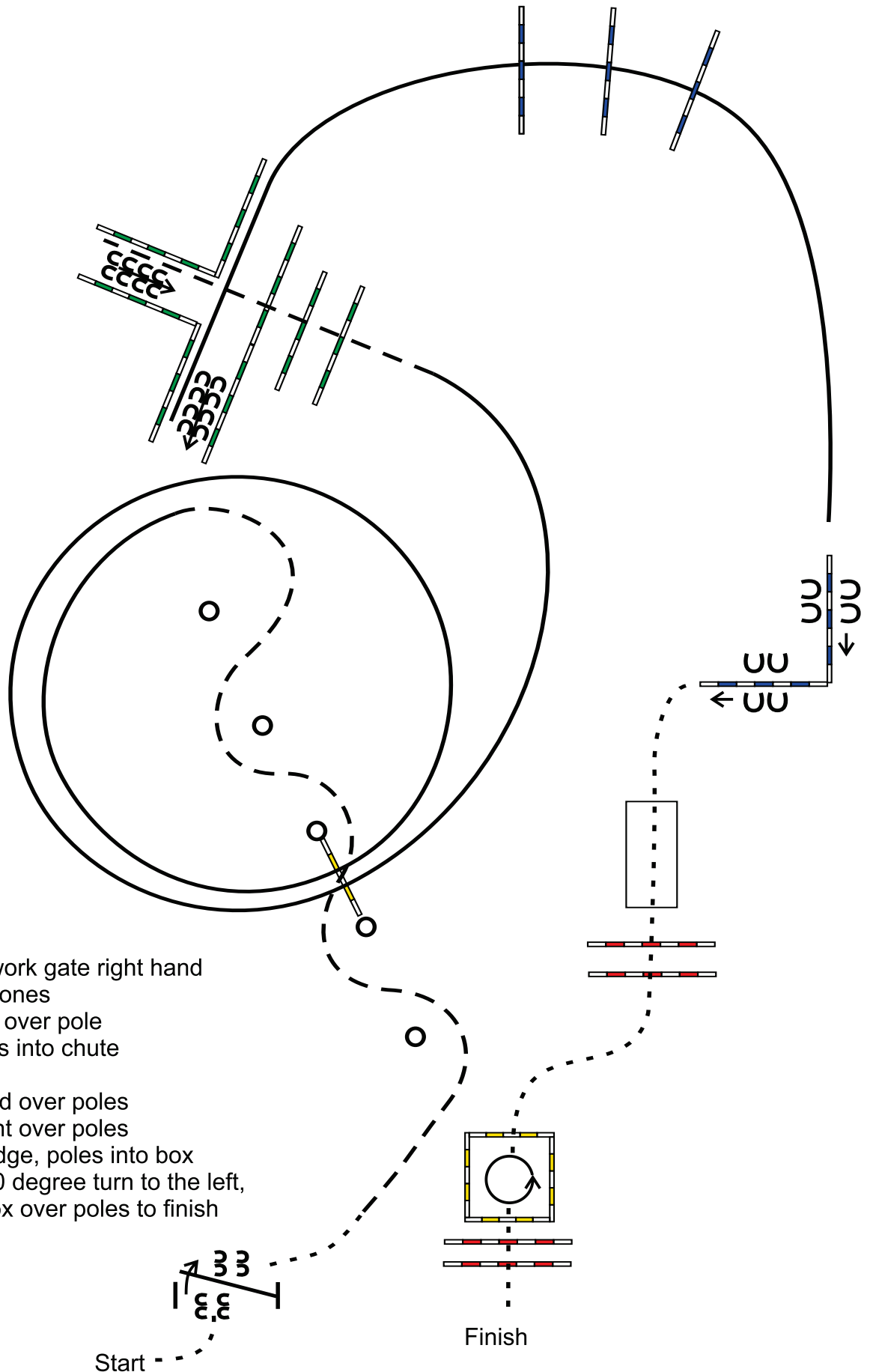


- Begin at Start
1. Walk to and work gate left hand
 2. Turn 180 degree to the right
 3. Walk, Jog through cones and over pole
 4. Walk over poles into chute
 5. Back up
 6. Jog out of chute over poles
 7. Walk over bridge, poles into box
 8. Perform a 360 degree turn to the right, walk out of box over poles to finish

Westfalen Paint Horse Show 2024

TRAIL

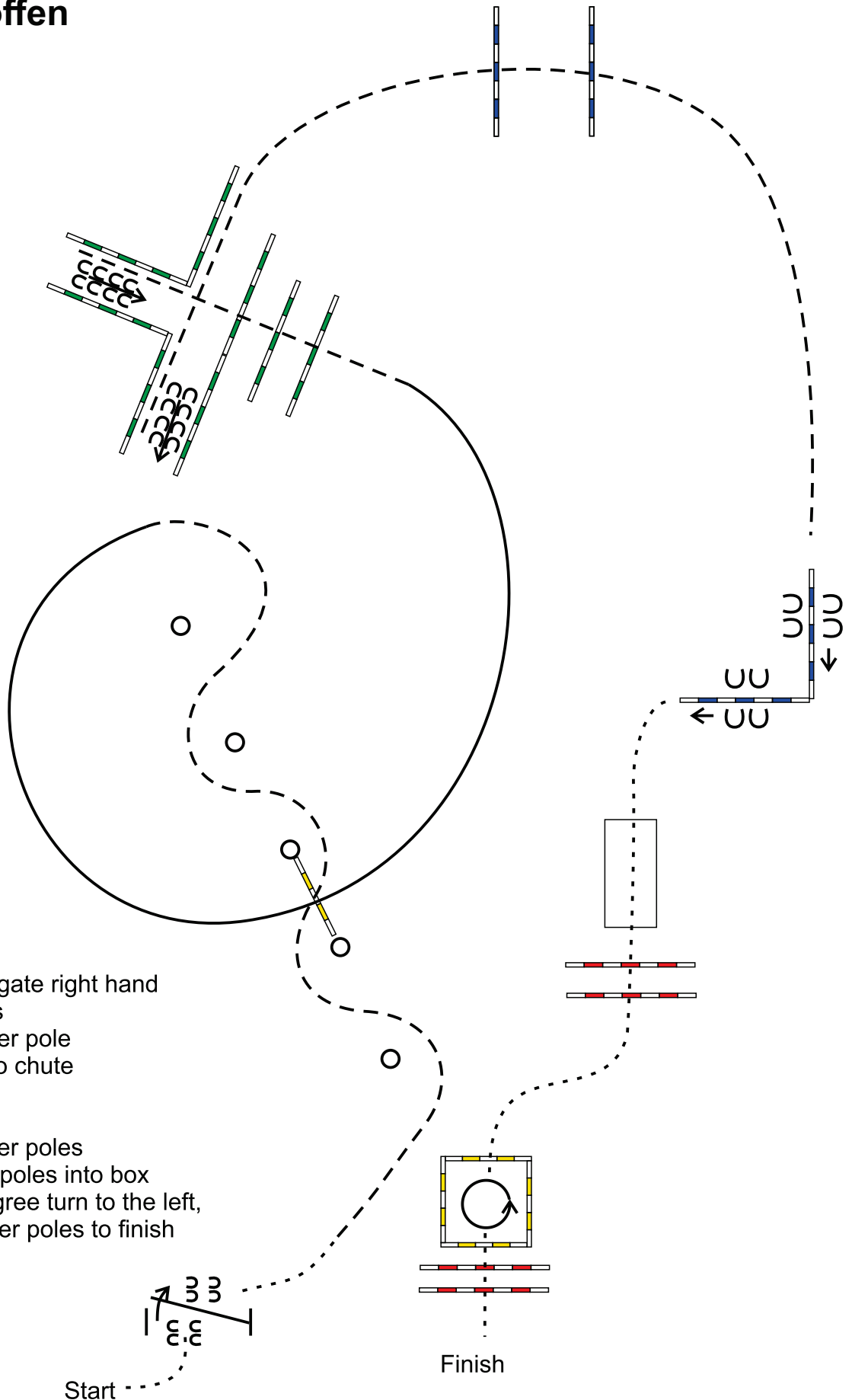
APHA & AQHA Open



Begin at Start

1. Walk to and work gate right hand
2. Jog through cones
3. Lope left lead over pole
4. Jog over poles into chute
5. Back the L
6. Lope right lead over poles
7. Side pass right over poles
8. Walk over bridge, poles into box
9. Perform a 360 degree turn to the left, walk out of box over poles to finish

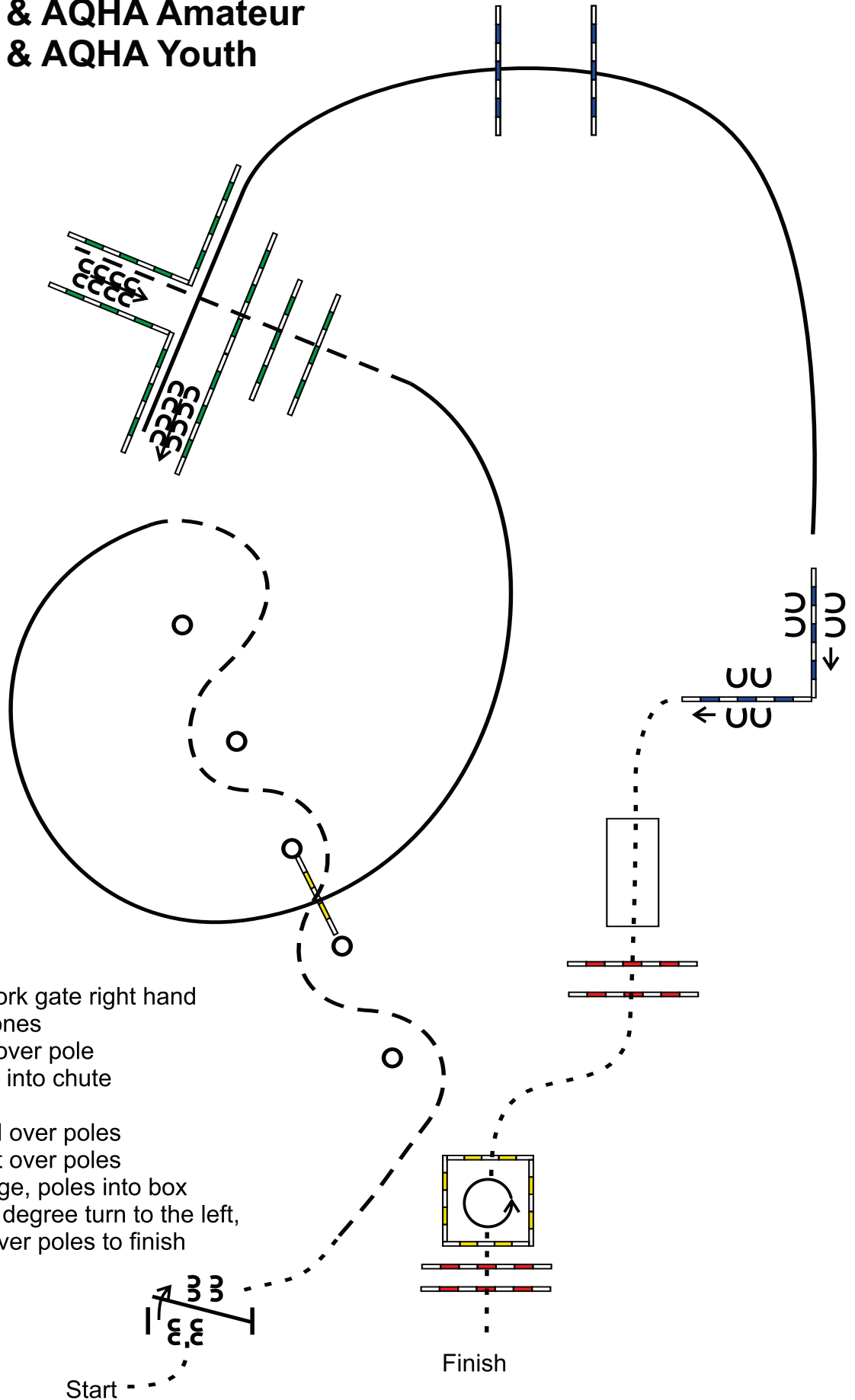
Westfalen Paint Horse Show 2024
TRAIL
APHA Green & Novice Amateur
AQHA Level 1 & L1 Amateur
Rasseoffen



Begin at Start

1. Walk to and work gate right hand
2. Jog through cones
3. Lope right lead over pole
4. Jog over poles into chute
5. Back the L
6. Jog over poles
7. Side pass right over poles
8. Walk over bridge, poles into box
9. Perform a 360 degree turn to the left, walk out of box over poles to finish

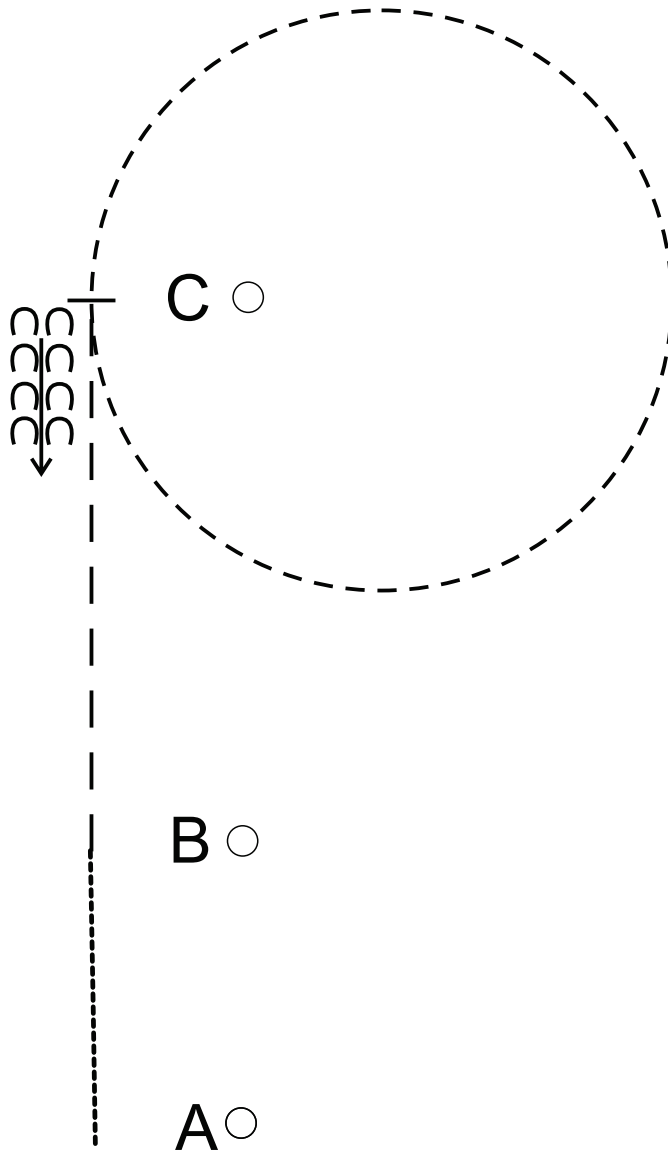
Westfalen Paint Horse Show 2024
TRAIL
APHA & AQHA Amateur
APHA & AQHA Youth



Begin at Start

1. Walk to and work gate right hand
2. Jog through cones
3. Lope left lead over pole
4. Jog over poles into chute
5. Back the L
6. Lope right lead over poles
7. Side pass right over poles
8. Walk over bridge, poles into box
9. Perform a 360 degree turn to the left, walk out of box over poles to finish

Westfalen Paint Horse Show 2024
WESTERN HORSEMANSHIP
Rasseoffen Walk-Trot

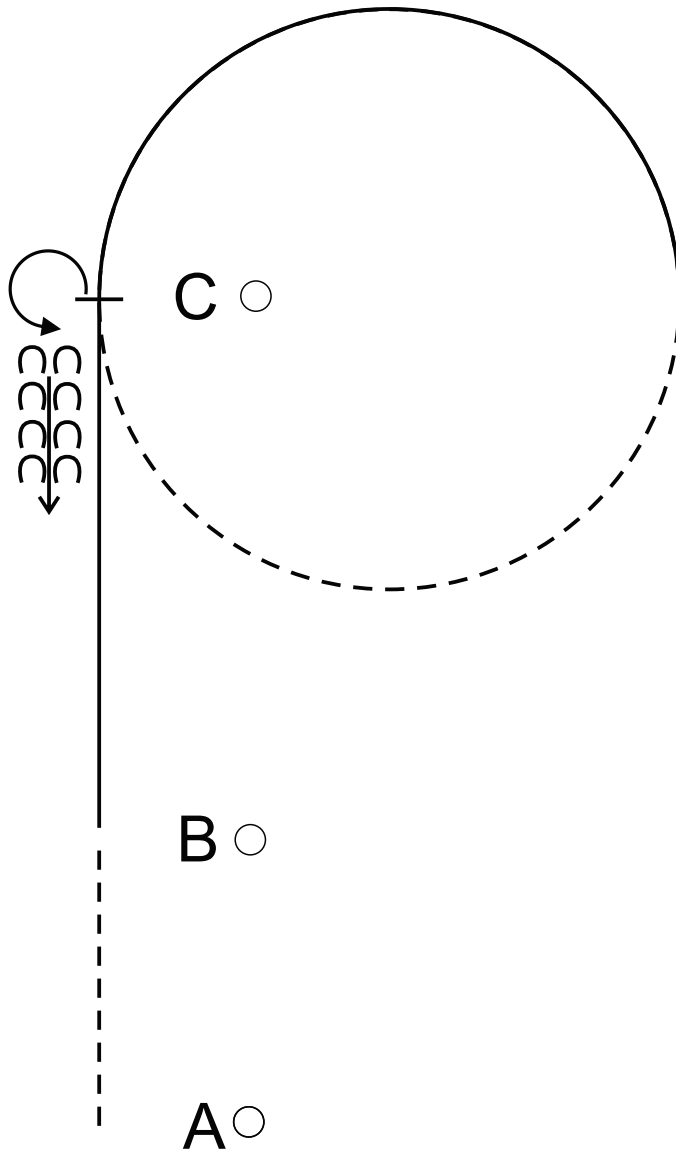


Be ready at A

1. Walk from A to B
2. Jog from B to C
3. Brake, jog a circle to the right
4. Stop at C and back up one horse length

Retire to the rail or line up at a jog

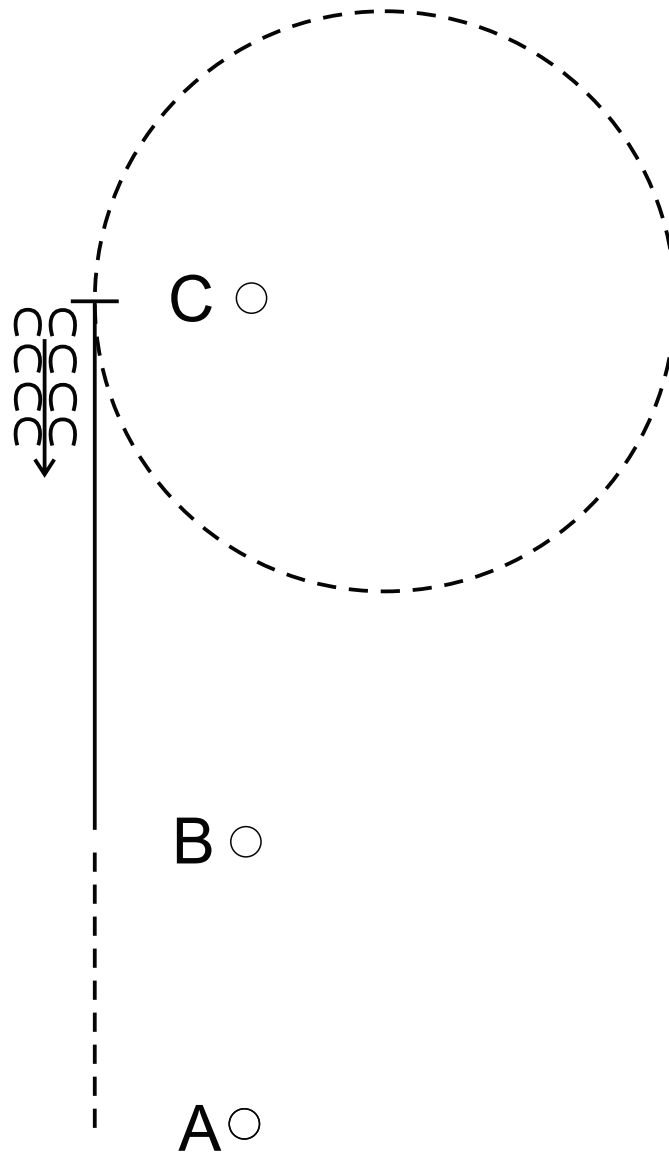
Westfalen Paint Horse Show 2024
WESTERN HORSEMANSHIP
APHA & AQHA Youth
APHA & AQHA Amateur



Be ready at A

1. Jog from A to B
2. Lope on the left lead from B to C
3. At C change leads (flying or simple)
4. Continue a circle to the right until even with C,
5. break to a jog and circle to the right
6. Stop at C, perform a 360° turn to the left
7. Back up one horse length.

Westfalen Paint Horse Show 2024
WESTERN HORSEMANSHIP
APHA Novice Amateur
AQHA Level 1 Amateur
Rasseoffen



Be ready at A

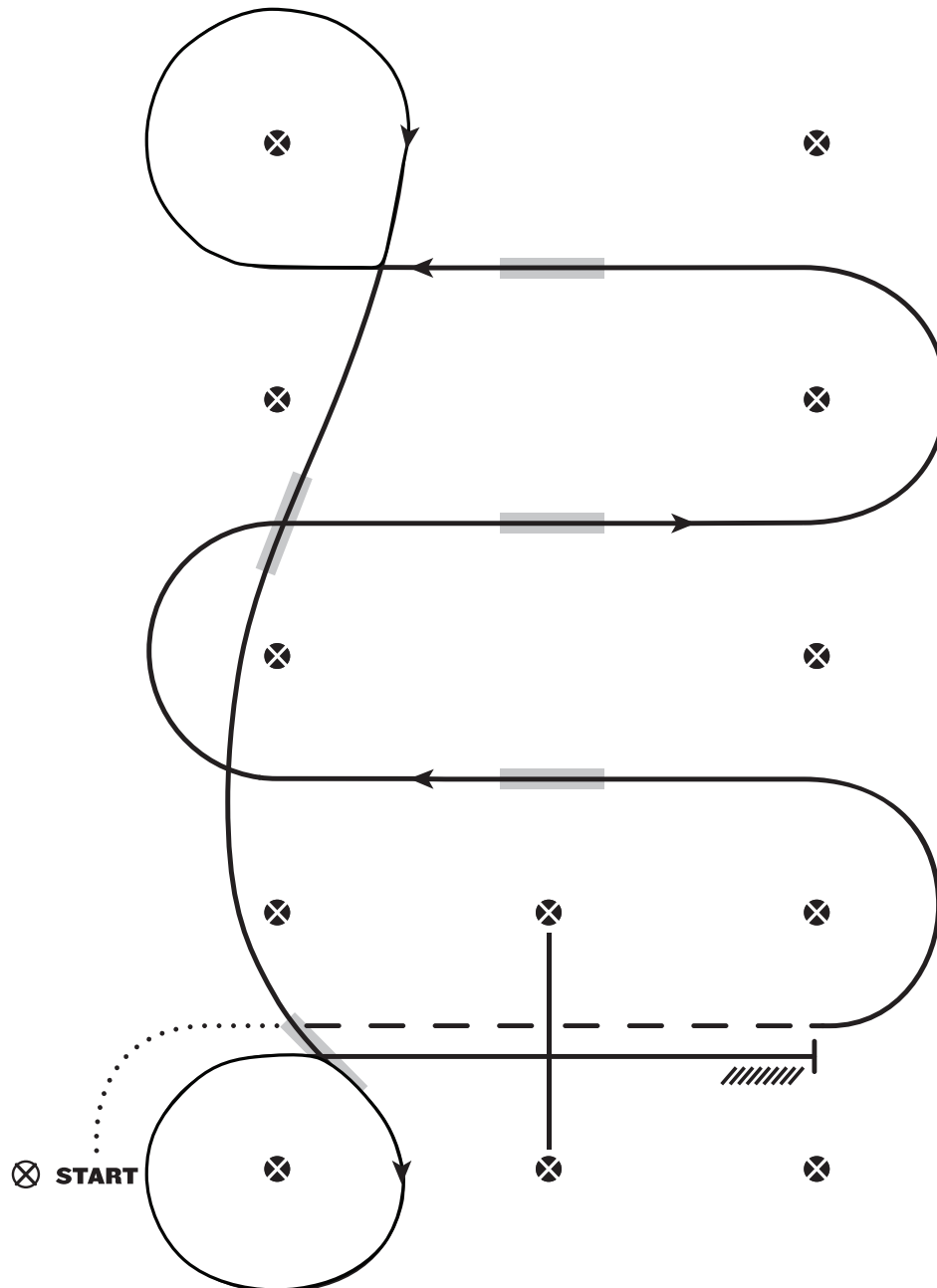
1. Jog from A to B
2. Lope on the right lead from B to C
3. Even with C, break to a jog and circle to the right
4. Stop at C and back up one horse length

Retire to the rail or line up at a jog

Westfalen Paint Horse Show 2024
WESTERN RIDING
APHA Green & Novice Amateur
AQHA Level 1 & L1 Amateur
Rasseoffen



LEVEL 1 WESTERN RIDING PATTERN 2



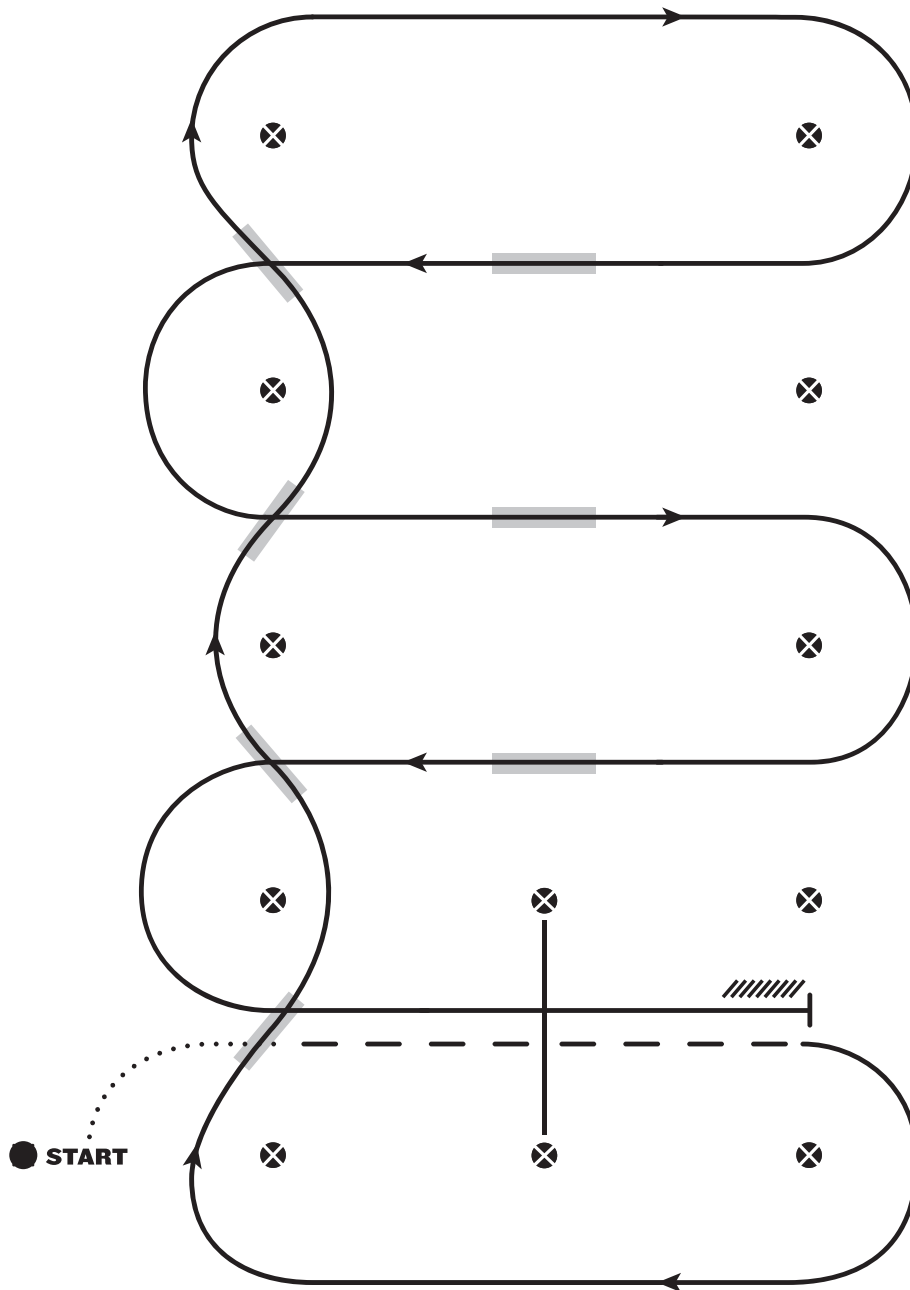
1. Walk at least 15 feet from start cone to the first marker, as drawn, transition to jog, jog over log.
2. Transition to the lope left lead
3. First crossing change
4. Second crossing change
5. Third crossing change
6. Circle & first line change
7. Second line change & circle
8. Lope over log
9. Stop & back

LEGEND	
----	Walk
- - - -	Jog
————	Lope
////	Back
■	Lead Changing Area

Westfalen Paint Horse Show 2024
 WESTERN RIDING
 APHA & AQHA Youth
 APHA & AQHA Amateur



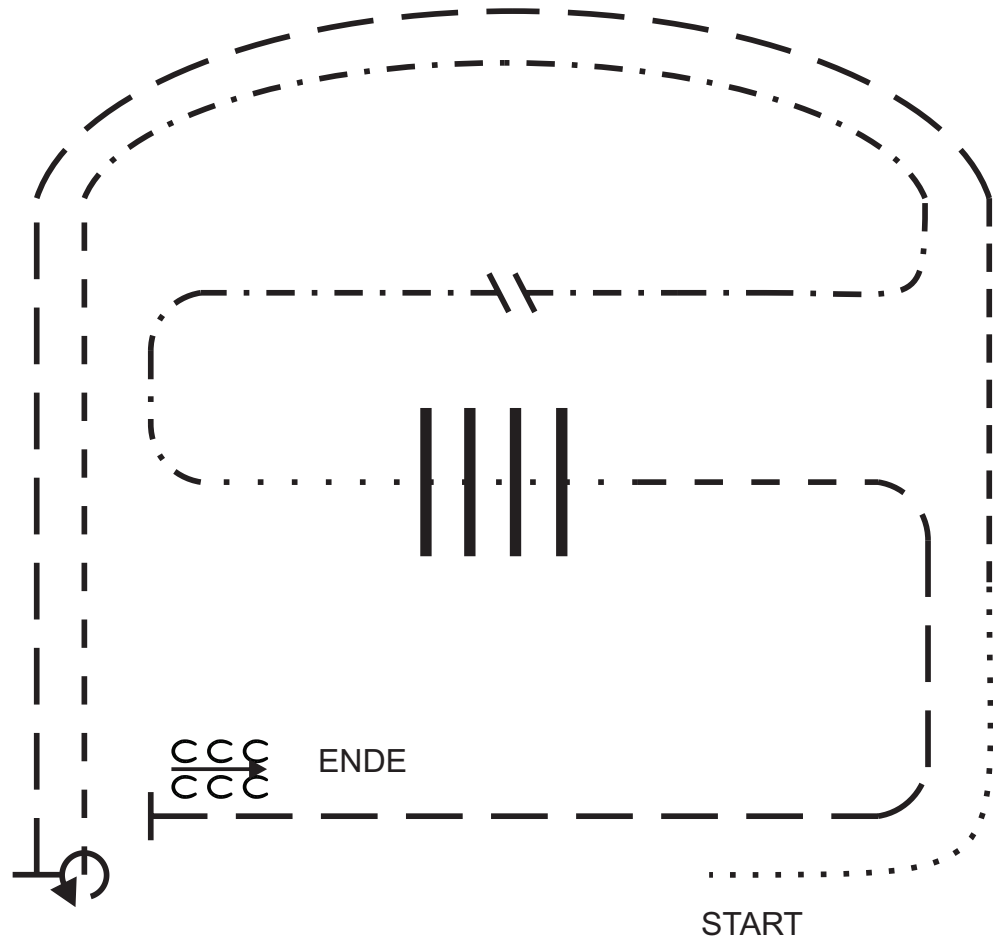
WESTERN RIDING PATTERN 4



1. Walk at least 15 feet from start cone to the first marker, as drawn, transition to jog, jog over log.
2. Transition to the lope right lead
3. First line change
4. Second line change
5. Third line change
6. Fourth line change
7. First crossing change
8. Second crossing change
9. Third crossing change
10. Lope over log
11. Lope, stop & back

LEGEND	
----	Walk
- - -	Jog
— — —	Lope
////	Back
■	Lead Changing Area

Westfalen Paint Horse Show 2024
RANCH RIDING
Rasseoffen Walk-Trot



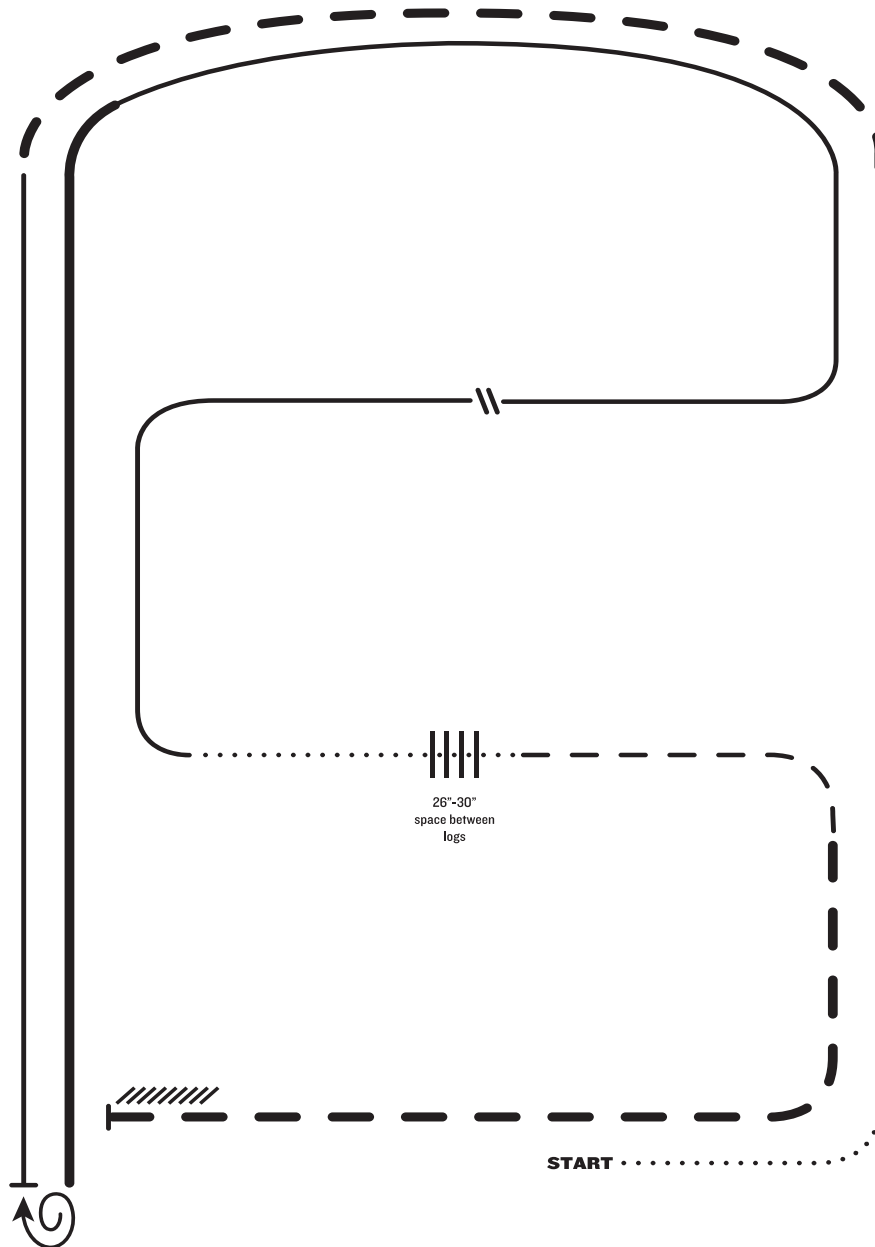
1. Schritt
2. Arbeitstrab (aussitzen)
3. Verstärkter Trab (leichter Sitz)
4. Stop, 1 1/2 Drehungen nach rechts
5. Arbeitstrab (aussitzen)
6. Tempo verstärken und leichttraben
7. Handwechsel (umsitzen)
8. Schritt
9. Schrittstangen
10. Arbeitstrab (aussitzen)
11. Verstärkter Trab (leichter Sitz)
12. Stop und Rückwärtsrichten.

- Schritt / Walk
- Trab / Jog
- .. - .. Leichttrab / Posting Trot
- — — Verstärkter Trab / Extended Trot
- Galopp / Lope
- Verstärkter Galopp / Extended Canter
- ↺↺↺↺↺↺ Rückwärtsrichten / Back Up
- Ⓐ Kegel / Marker

Westfalen Paint Horse Show 2024
 RANCH RIDING
 Rasseoffen
 APHA Nov. Amateur - AQHA L1 Amateur
 APHA Green - AQHA Level 1



RANCH RIDING PATTERN 2



1. Walk
2. Trot
3. Extended trot
4. Lope left lead
5. Stop, 1 1/2 turn right
6. Extended lope
7. Collect lope right lead
8. Change leads (simple or flying), continue lope left lead
9. Walk
10. Walk over logs
11. Trot
12. Extended trot
13. Stop and back

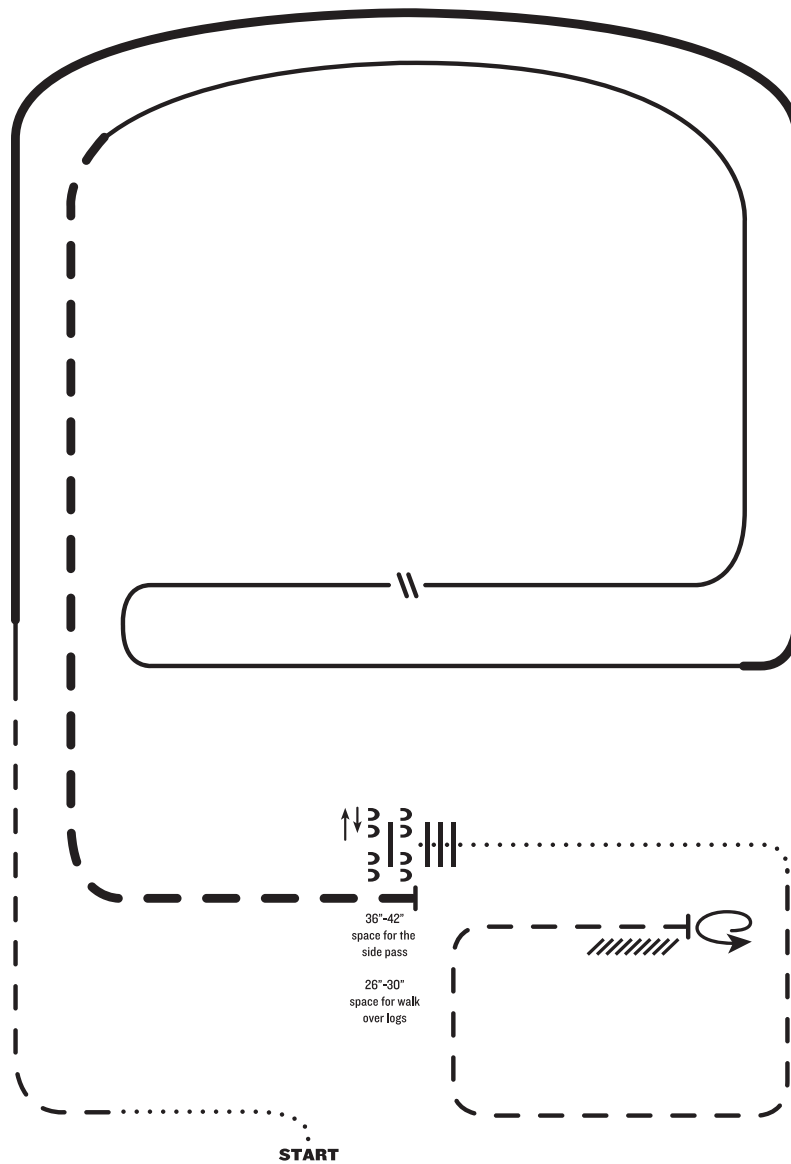
LEGEND	
---	Walk
- - -	Extended Walk
- · - · -	Trot
- · - · - · - · -	Extended Trot
- · - · - · - · - · -	Lope
- · - · - · - · - · - · -	Extended Lope
////	Back
∩	Lead Change

Note: The drawn description of this pattern is only intended for the general depiction of the pattern. Exhibitors should utilize the arena space to best exhibit their horses.

Westfalen Paint Horse Show 2024
 RANCH RIDING
 APHA Open, Amateur, Youth
 AQHA Open, Amateur, Youth



RANCH RIDING PATTERN 4



1. Walk
2. Trot
3. Extended lope right lead
4. Lope right lead
5. Change leads (simple or flying)
6. Lope left lead
7. Extended trot
8. Stop, side pass left, side pass right, 1/2 way
9. Walk over logs
10. Walk
11. Trot square
12. Stop, 360° turn left, and back

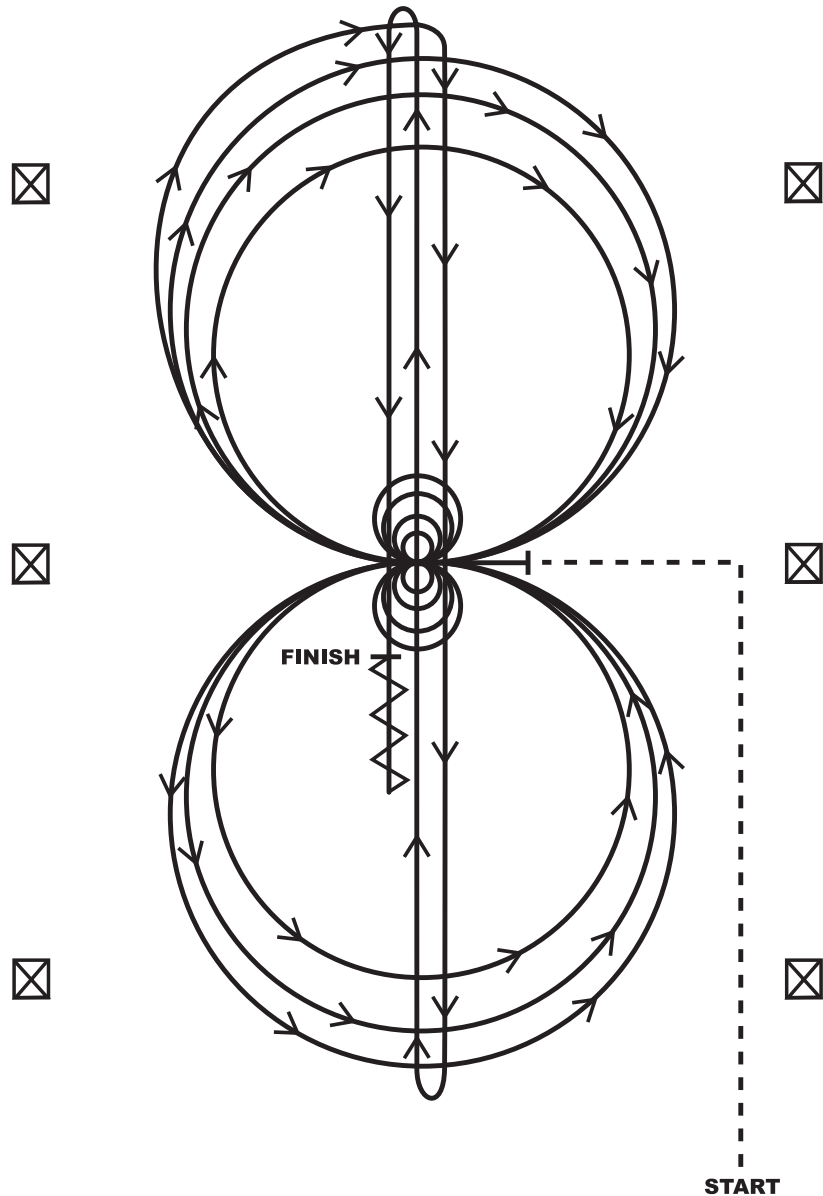
Note: The drawn description of this pattern is only intended for the general depiction of the pattern. Exhibitors should utilize the arena space to best exhibit their horses.

LEGEND	
---	Walk
- - -	Extended Walk
- - -	Trot
- - -	Extended Trot
—	Lope
—	Extended Lope
////	Back
∥	Lead Change

Westfalen Paint Horse Show 2024
REINING
APHA Open, Amateur, Youth
AQHA Open, Amateur, Youth
Rasseoffen



REINING PATTERN 11



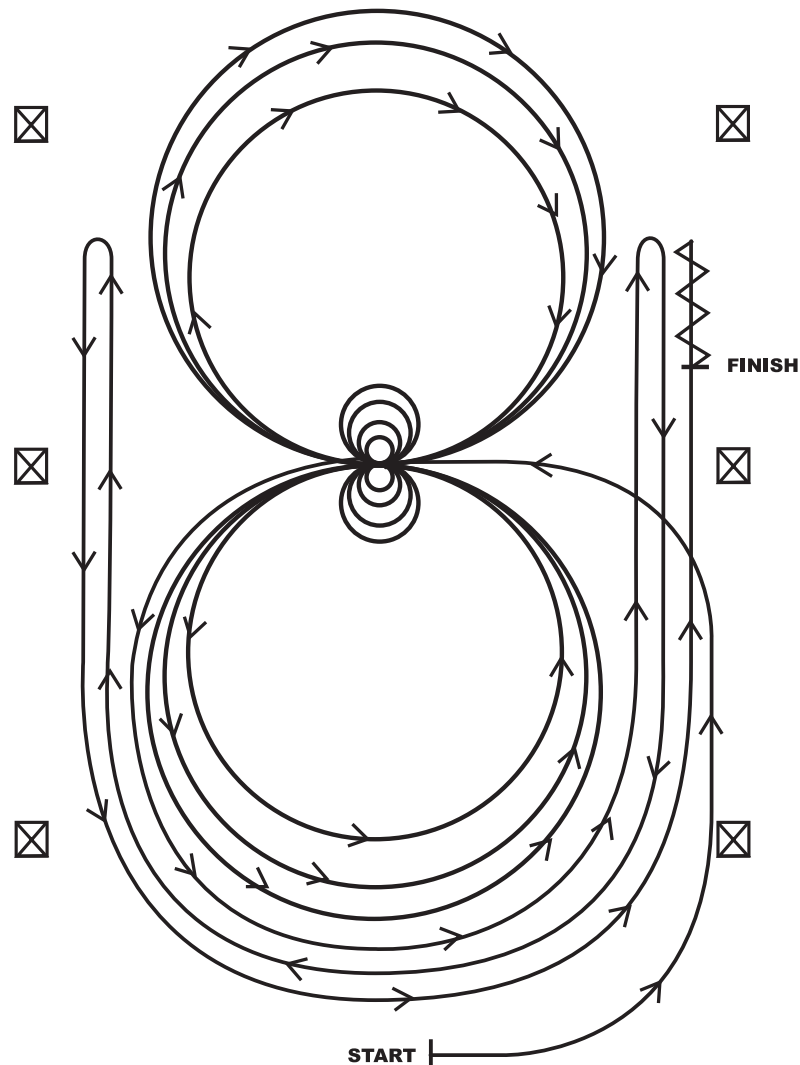
Horses must jog to the center of the arena. Horses must walk or stop prior to starting the pattern. Beginning at the center of the arena facing the left wall or fence.

1. Complete four spins to the left. Hesitate.
2. Complete four spins to the right. Hesitate.
3. Beginning on the right lead complete three circles to the right; the first circle small and slow; the next two circles large and fast. Change leads at the center of the arena.
4. Complete three circles to the left; the first circle small and slow; the next two circles large and fast. Change leads at the center of the arena.
5. Begin a large circle to the right, but do not close this circle. Run down the center of the arena past the end marker and do a right rollbackno hesitation.
6. Run up the middle to the opposite end of the arena past the end marker and do a left rollbackno hesitation.
7. Run past the center marker and do a sliding stop. Back up to the center of the arena or at least ten feet (three meters). Hesitate to demonstrate completion of the pattern.

Westfalen Paint Horse Show 2024
REINING
APHA Green - Novice Amateur
AQHA Level 1 - Level 1 Amateur



REINING PATTERN 17



Begin on left lead. Continue to the center of the arena to begin the pattern facing toward the left wall or fence, without stopping or breaking gait.

1. Beginning on the left lead, complete two circles to the left: the first circle large and fast; the second circle small and slow. Stop at the center of the arena. Hesitate.
2. Complete four spins to the left. Hesitate.
3. Beginning on the right lead, complete two circles to the right: the first being large and fast; the second circle small and slow. Stop at the center of the arena.
4. Complete four spins to the right. Hesitate.
5. Beginning on the left lead, run a large fast circle to the left, change leads at the center of the arena, run a large fast circle to the right, and change leads at the center of the arena.
6. Continue around previous circle to the left but do not close this circle. Run up the right side of the arena past the center marker and do a right rollback at least 20 feet (6 meters) from the wall or fence-no hesitation.
7. Continue around previous circle to the right but do not close this circle. Run up the left side of the arena past the center marker and do a left rollback at least 20 feet (6 meters) from the wall or fence-no hesitation.
8. Continue back around previous circle to the left but do not close this circle. Run up the right side of the arena past the center marker and do a sliding stop at least 20 feet (6 meters) from the wall or fence. Back up at least 10 feet (3 meters). Hesitate to demonstrate completion of pattern.